

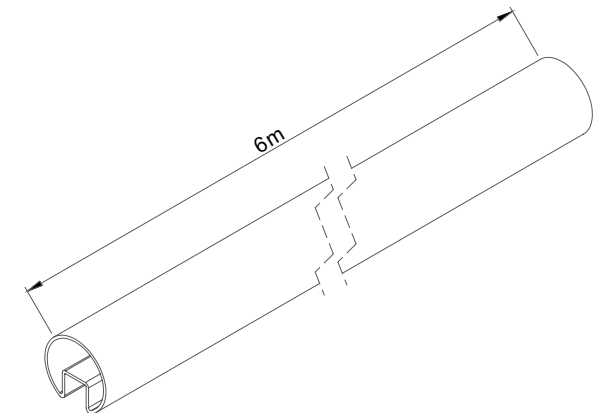
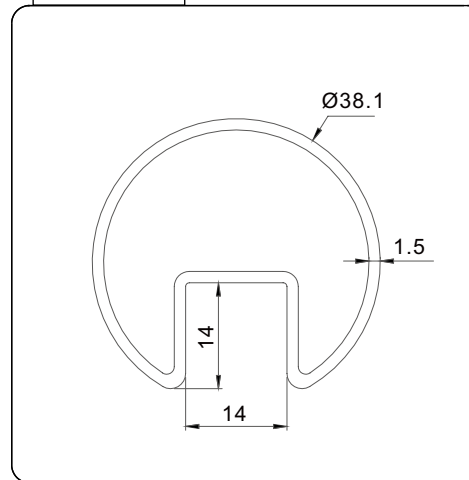
Drawing ID

TR-R38X

Product Info.

Finish	Code
Polish	TR-R38M
Satin	TR-R38S
Texture Black	TR-R38B

Dimensions



Instructions



MATERIAL:

316L Stainless Steel

CATALOGUE AND DESCRIPTION:

- > Railing Systems
- > TR-R38 Series
- > Ø38.1mm Round Top Rail

NOTES:

This drawing and or specification is the property of Silver Stone Hardware Pty Ltd - and must be returned to them on request. Unauthorised use may result in Legal Action. Its contents must not be made public, nor copied, nor used directly or indirectly in any way.

SILVER STONE HARDWARE PTYLID

56-62 Bryant Street, Padstow, NSW 2211
 T: (02) 9792 2955 M: 0452 526 680
www.silverstonehardware.com.au
sales@silverstonehardware.com.au